



UNIDAN
Engineering

FUSO

ABOUT US

Over the years, our journey in the off-road industry has been evolutionary. What began in a small factory crafting custom, one-of-a-kind items has evolved into our current state—a fully-fledged facility dedicated to supplying off-road parts and accessories.

Despite the expansion and increased production, our quality has remained a key focus in all our work. This commitment to quality has been the cornerstone of our growth, ensuring that each component we produce maintains the integrity and craftsmanship that defines our brand.

With a wealth of experience in remote travel and over 15 years dedicated to designing and constructing these unique vehicles, we possess the assurance in our skills and expertise to actualise your visions.

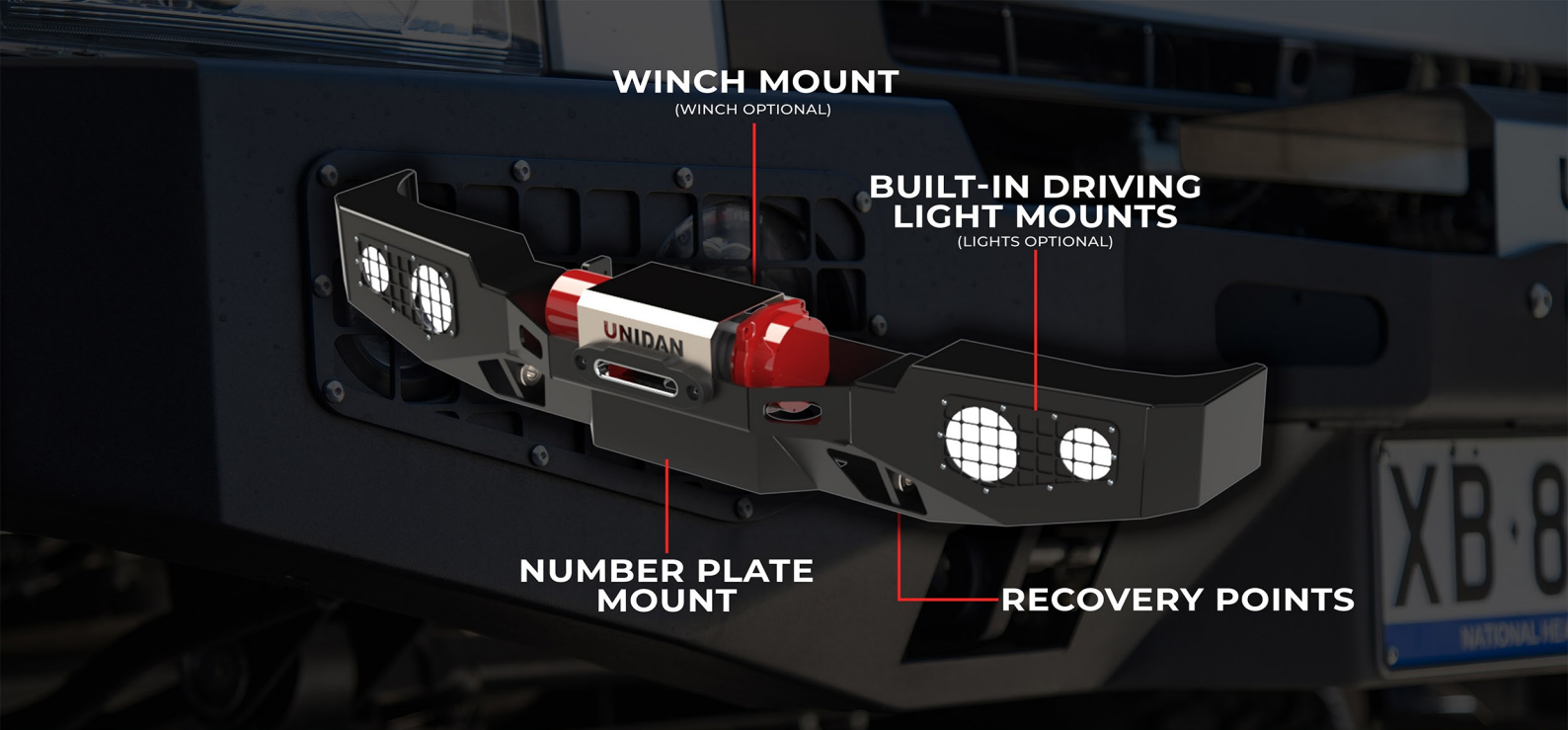
As a family-owned and operated business, we deeply grasp the significance of support and community.

Therefore, our commitment is to offer you unparalleled attention and assistance throughout your journey, from the initial purchase to the realization of your concept into a finished product, and even beyond that.



LOW STYLE BULLBAR





WINCH MOUNT
(WINCH OPTIONAL)

**BUILT-IN DRIVING
LIGHT MOUNTS**
(LIGHTS OPTIONAL)

**NUMBER PLATE
MOUNT**

RECOVERY POINTS

XB-8
NATIONAL

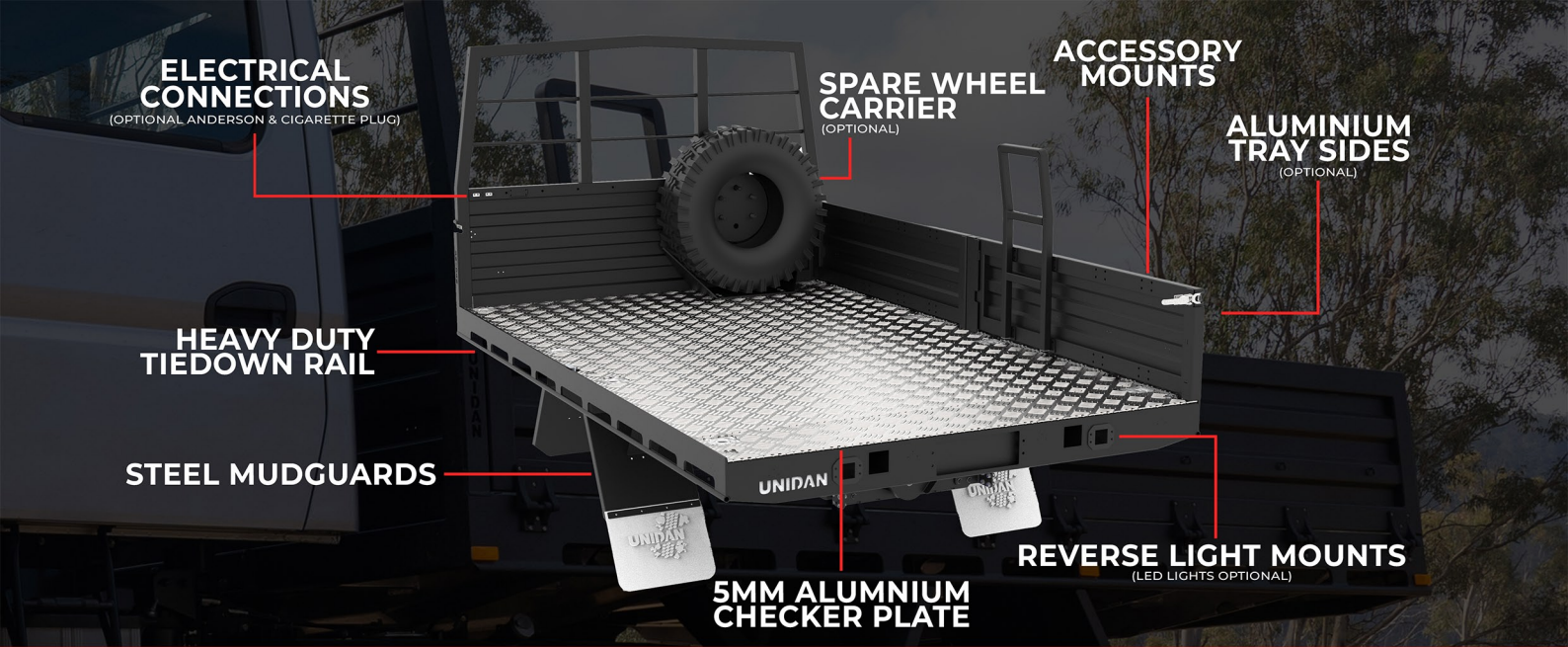
- ◆ **Designed & Built In Australia**
- ◆ **3D CAD Modelled & Designed**
- ◆ **Designed with Offroad Ability at the Forefront**
 - ◆ ADR Compliant Recovery Points
 - ◆ Improved Approach Angle
- ◆ **Winch Ready**
 - ◆ Optional: Runva or Carbon 20,000lb Winch
 - ◆ Easily Access Winch Functions
- ◆ **Built-in Driving Light Mounts**
 - ◆ Optional: LED Driving Lights
 - ◆ Protective Screens
- ◆ **3 Stage Powder Coating**
 - ◆ Finished in Textured Black
 - ◆ Scratch Resistant Technology
 - ◆ High Durability for Offroad Use

STANDARD TRAY



STANDARD FEATURES

- ◆ Designed & Built In Australia
- ◆ Torsional Free Subframe (no springs)
- ◆ Aluminium Construction with Steel Subframe
- ◆ 8 Heavy Duty Flip Down Tiedown Points
- ◆ Canopy Hoop Receptor
- ◆ Heavy Duty Tiedown Rail
- ◆ 5mm Aluminium Checker Plate Decking
- ◆ Raptor Coated Surfaces
- ◆ Tray Side Mounts
- ◆ LED Reverse Lights Mounts
- ◆ Under Tray Storage Box Preparation
- ◆ Headboard Electrical Connection Preparation
- ◆ Spare Wheel Carrier Preparation



ELECTRICAL CONNECTIONS

(OPTIONAL ANDERSON & CIGARETTE PLUG)

SPARE WHEEL CARRIER

(OPTIONAL)

ACCESSORY MOUNTS

ALUMINIUM TRAY SIDES

(OPTIONAL)

HEAVY DUTY TIEDOWN RAIL

STEEL MUDGUARDS

5MM ALUMINIUM CHECKER PLATE

REVERSE LIGHT MOUNTS

(LED LIGHTS OPTIONAL)

OPTIONAL FEATURES

◆ 12V Electrical Connections

- ◆ 50amp Anderson Plugs (Power In & Out)
- ◆ 2 x 12V Cigarette Plugs

◆ Blacktip LED Reverse Lights

◆ Spare Wheel Carrier (Single or Dual)

◆ Tray Sides

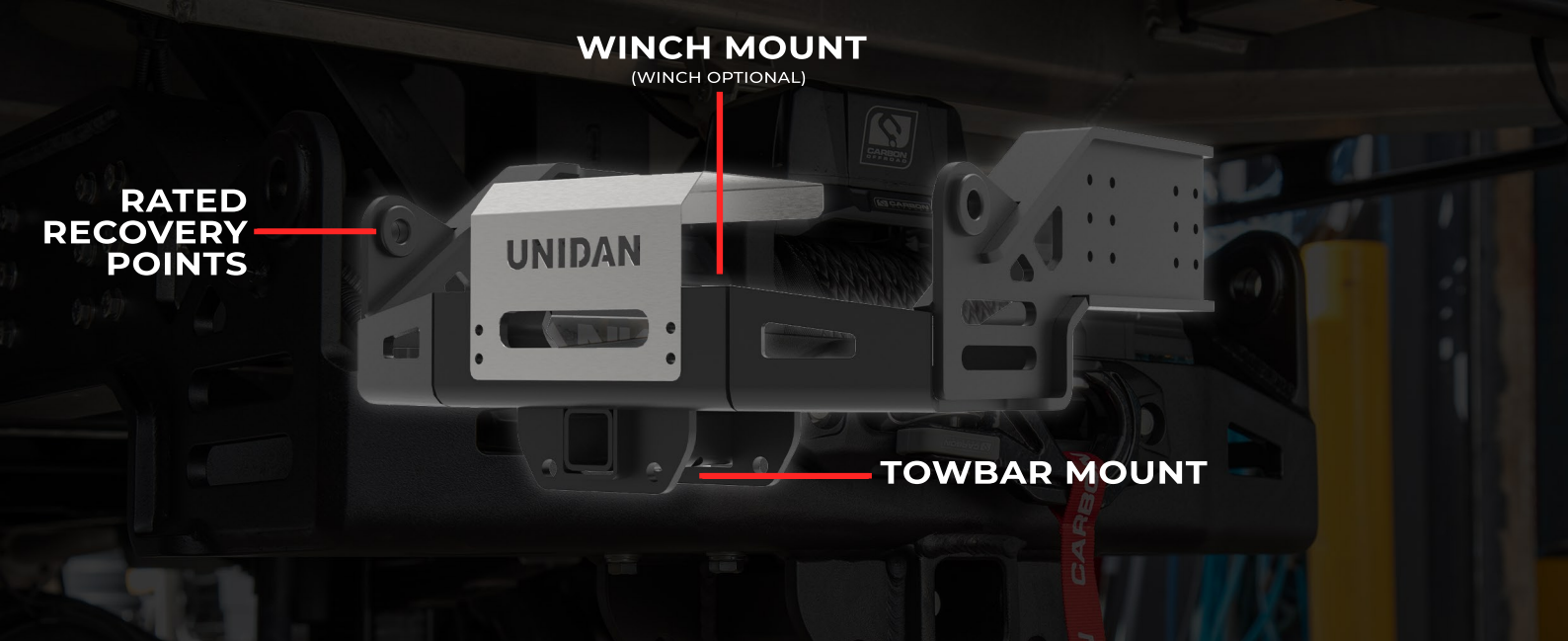
- ◆ Engineered Aluminium to Combine Lightweight & Strength
- ◆ Tray Side Accessory Mounts
- ◆ Heavy Duty Stainless Steel Over Center Catchers

◆ Tray Side Ladder

◆ More Products in Development

REAR WINCH MOUNT





WINCH MOUNT

(WINCH OPTIONAL)

RATED
RECOVERY
POINTS

TOWBAR MOUNT

◆ ADR Certified

- ◆ 2 x 4600kg Rated Recovery Points

◆ 3D CAD Modelled & Designed

◆ ADR Certified Towbar

◆ Winch Ready

- ◆ Optional: Runva or Carbon Offroad 20,000lb Winch
- ◆ Easily Access Winch Functions

◆ 3 Stage Powder Coating

- ◆ Finished in Textured Black
- ◆ Scratch Resistant Technology
- ◆ High Durability for Offroad Use

COMING SOON



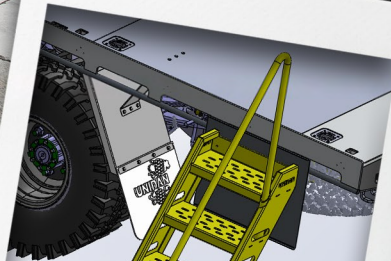
TYRE CARRIER
(SINGLE OR DUAL)



TRAY SIDE
WORKBENCH



TRAY SIDE
LADDER



TRAY SIDE
PERSONNEL STAIRS



An aerial photograph of a large outdoor vehicle depot or workshop. The ground is dirt and gravel, surrounded by trees. Numerous vehicles, including trucks, vans, and SUVs, are parked in rows. A large, stylized logo is overlaid on the center of the image. The logo consists of a white, textured, circular shape with a red 'D' in the center. The word 'UNIDAN' is written in large, bold, white letters with a red 'D' across the middle. Below it, the word 'Engineering' is written in a smaller, white, sans-serif font.

UNIDAN

Engineering

UNIVERSAL SOLUTIONS FOR OFF-ROAD TRANSPORT AND EXPEDITION VEHICLES.
FOR MORE INFORMATION & PRICING PLEASE CONTACT

DAIMLER TRUCKS MURWILLUMBAH
